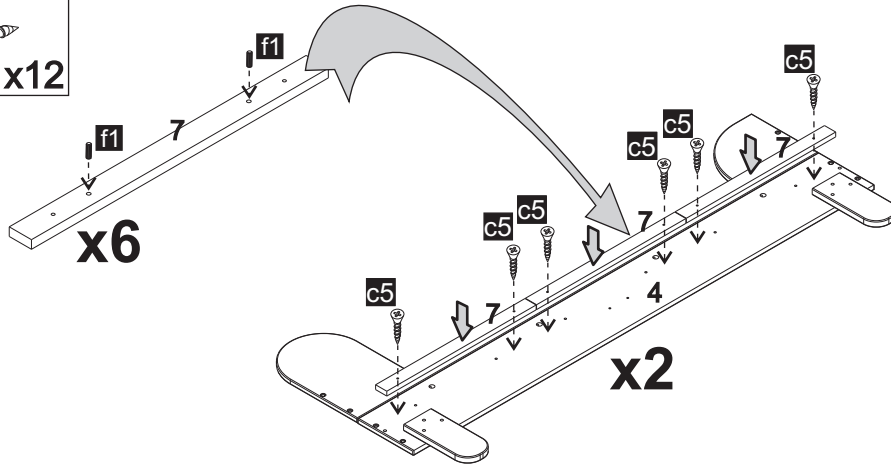
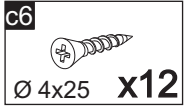
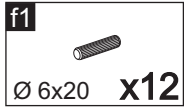


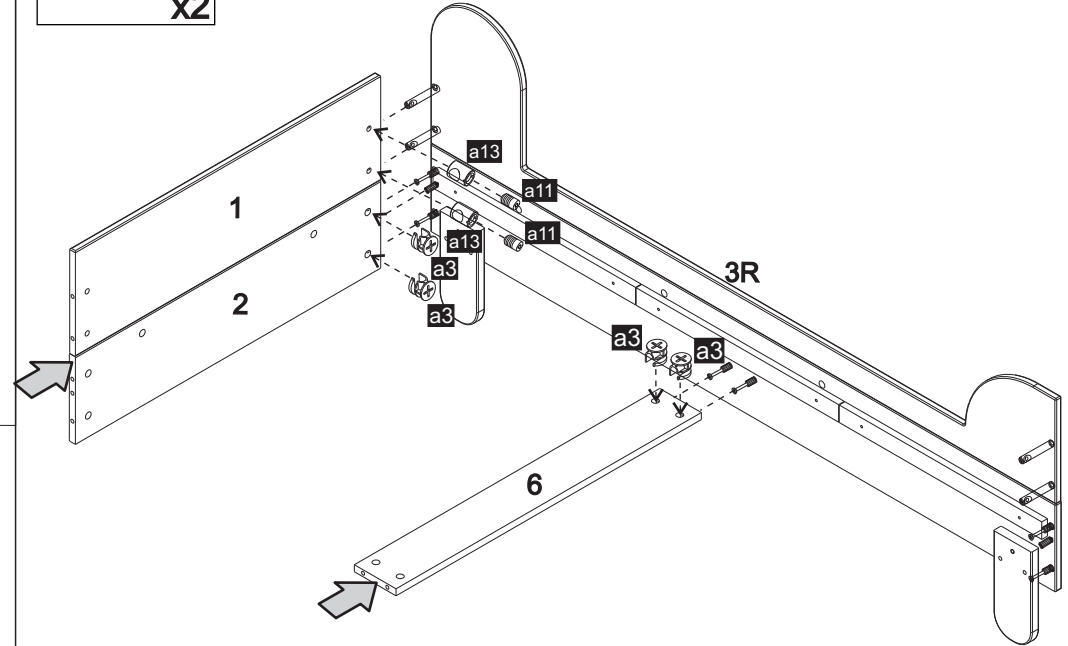
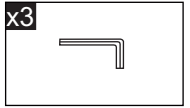
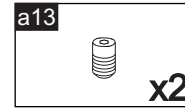
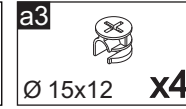
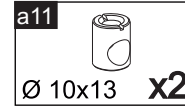




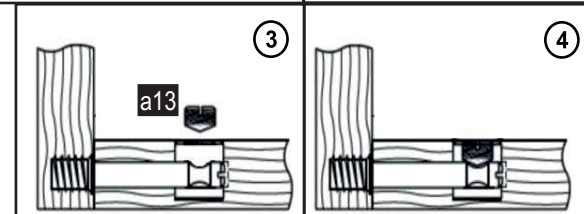
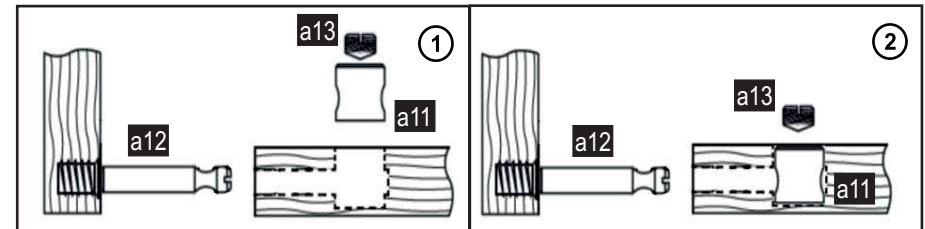
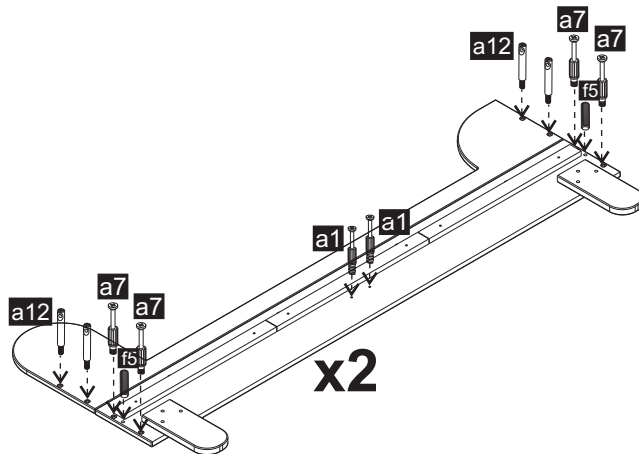
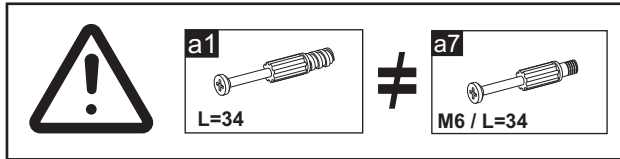
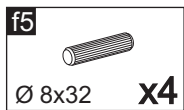
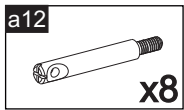
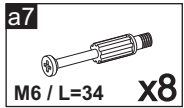
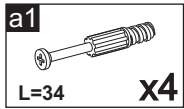
5






8

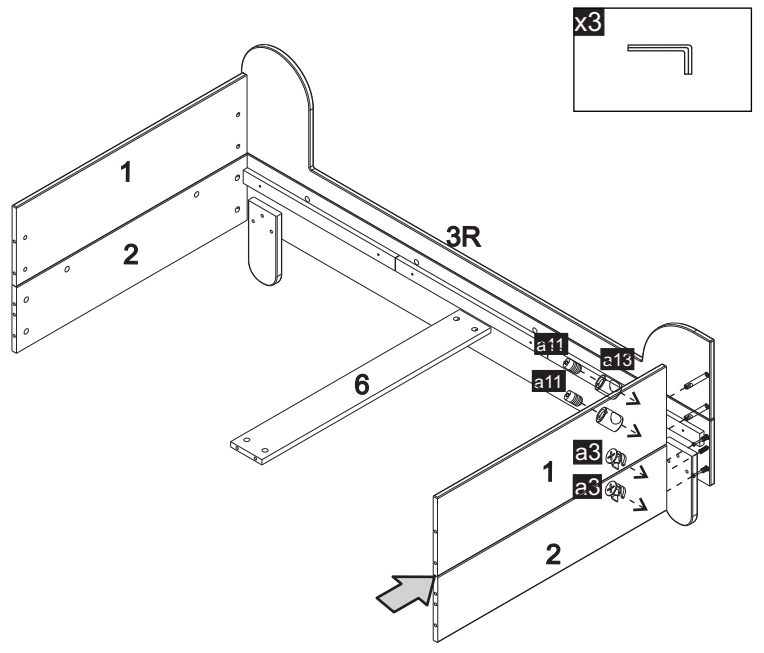


6




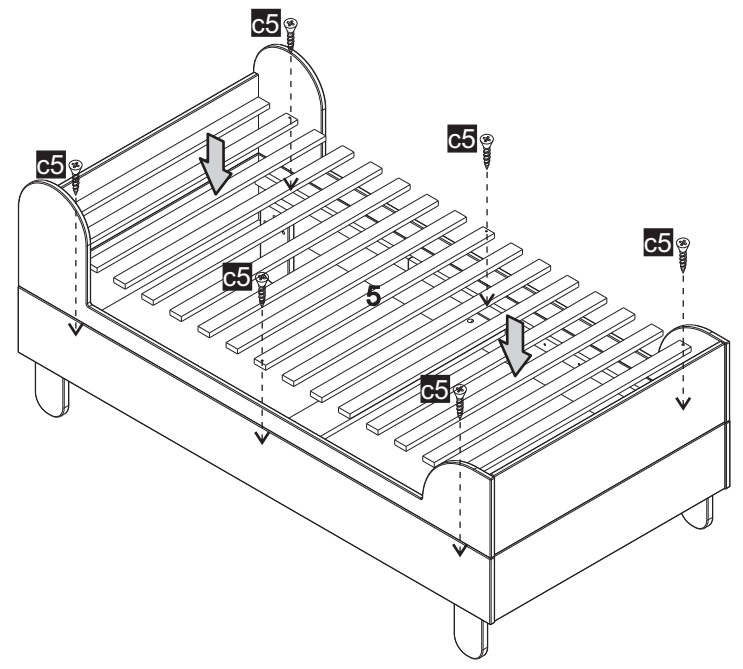
9

- a3   $\varnothing 15 \times 12$  x2
- a11   $\varnothing 10 \times 13$  x2
- a13  x2






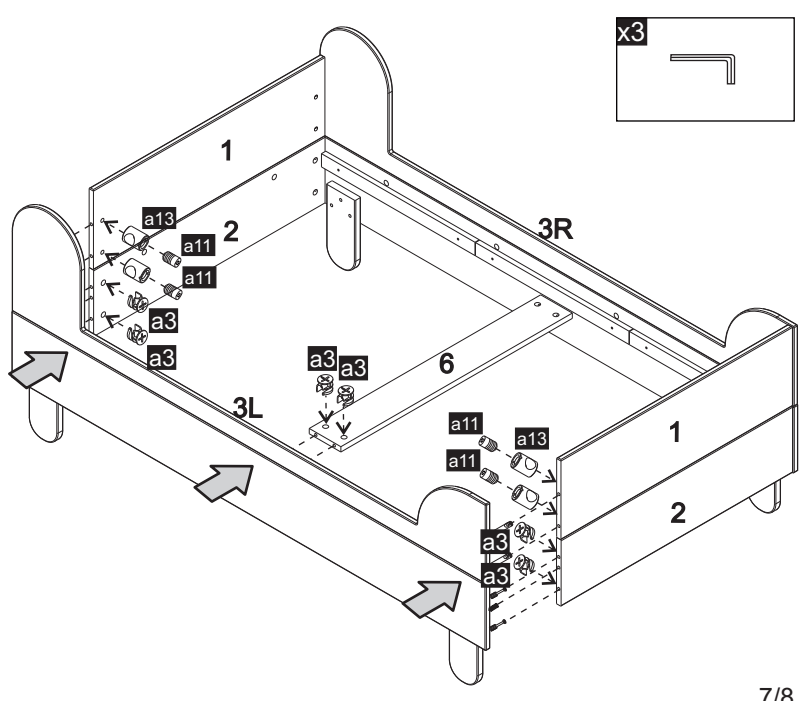
11

- c7   $\varnothing 4 \times 40$  x6



10

- a3   $\varnothing 15 \times 12$  x6
- a11   $\varnothing 10 \times 13$  x4
- a13  x4



12

